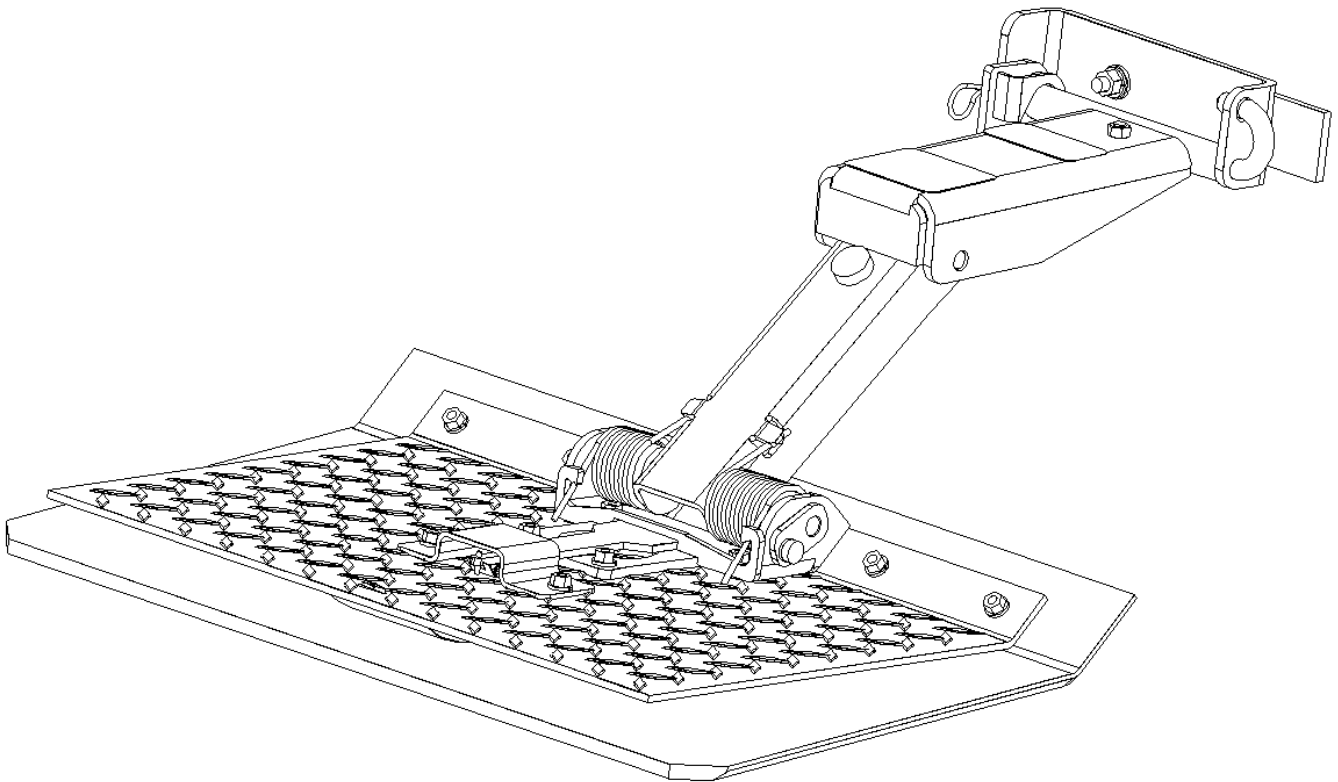


Proslide XT®

Retracting Slider

Installation and User Manual

Thank you for purchasing the Proslide XT Retracting Slider.



Patent No. 5,575,140

Please read before using.

This manual will help you get maximum performance from your slider.

Novae

Installation

1. Using the backing plate as a pattern, place two holes in the rear of the mower frame.

1. **Mark the center** of the backing plate.
2. Mark the center of the mower frame at the lower edge.
3. Fit the backing plate to the inside of the mower frame and note its vertical position relative to the lower edge of the frame.
4. Clamp the backing plate to the outside of the mower frame, in the same vertical position as noted, aligning the center marks. Be sure it is level.
5. **Protect the drive belts** by clamping a metal bar to the inside of the frame with a 1/4" spacer to allow clearance for the drill.
6. **Drill two 25/64" holes** in the mower frame through the backing plate holes.
7. Remove the backing plate.

2. Bolt the backing plate and mounting bracket on opposite sides of the frame.

1. Place the backing plate inside the mower frame and insert a mounting bolt through backing plate and frame.
2. Place the mounting bracket on the bolt and follow with a flat washer, lock washer and nut.
3. Insert the other mounting bolt, washers, and nut in the same manner and tighten both.

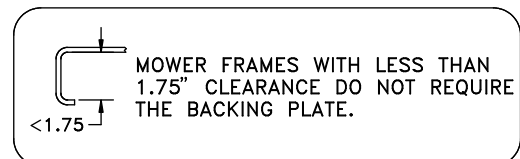
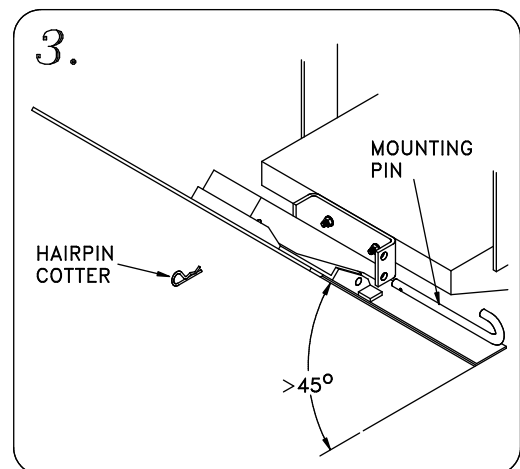
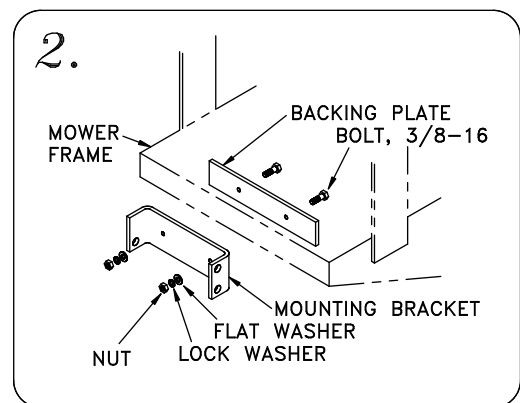
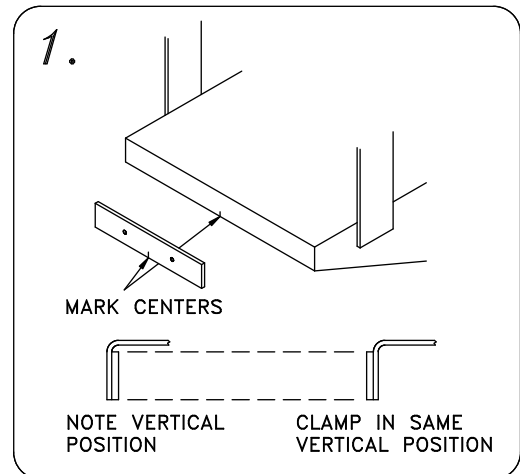
3. Insert the connecting pin.

1. Push the pin through the mounting bracket while holding the Proslide in place at more than 45 degrees.
2. Insert the hairpin cotter to retain the mounting pin.

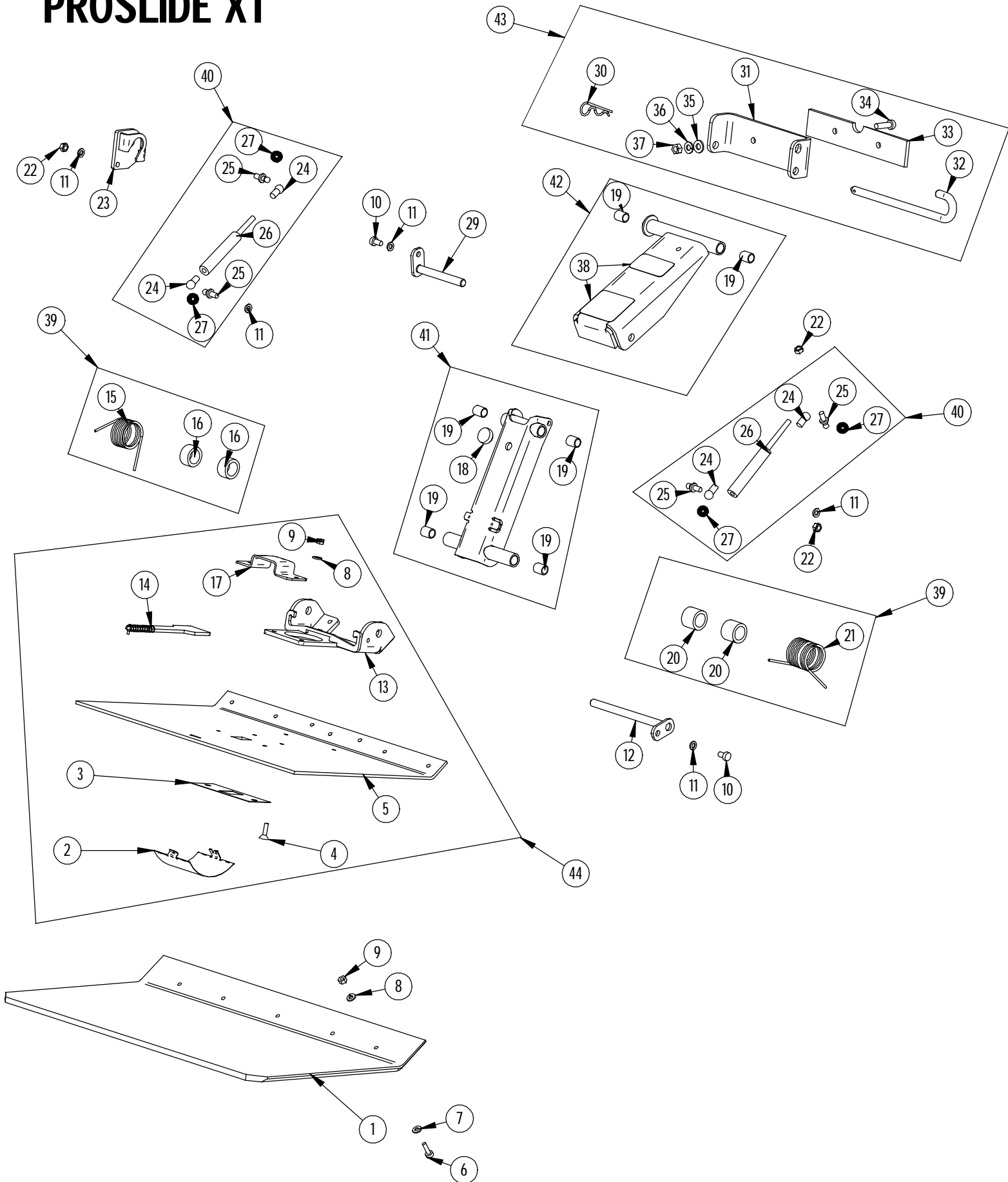
Important Notes:

Not all mowers require the use of the 102027 backing plate. Mowers with short U-shaped rear frames have sufficient strength and do not require the backing plate. Use the backing plate on all mowers with adequate clearance.

- Ferris- Not recommended for use with single drive hydrostatic mowers. Installation on Ferris belt drive mowers requires adapter 102420.
- Kees hydro- The metal belt guard must be remounted after installation.



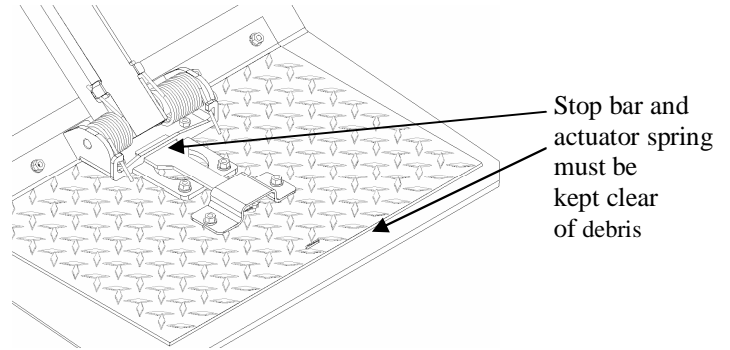
PROSLIDE XT



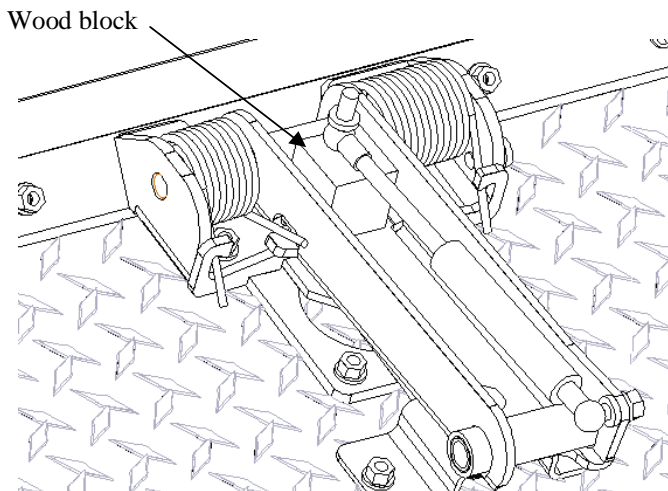
Ref Number	Part Number	Description	Quantity
1	103038	XT Wear Plate	1
2	103013	XT Actuator Spring	1
3	103030	XT Slipper Plate	1
4	102108	Screw, 1/4 - 20 x 3/4, Flat Head	8
5	103012	XT Deck Plate	1
6	ST1167	Screw 1/4 - 20 x 1 Hex Cap	5
7	102060	Washer, Flat 1/4	5
8	102063	Washer, Lock 1/4	13
9	102059	Hex Nut 1/4 - 20	13
10	103023	Screw, 5/16 - 18 x 5/8 Hex Cap	2
11	102064	Washer, lock 5/16	5
12	103027-P	XT Deck Joint Pin	1
13	103029-B	XT Deck Bracket	1
14	103033	XT Stop Bar Assembly	1
15	103009	XT Torsion Spring, LH	1
16	103011	XT Mandrel Sleeve, Left	2
17	103014-B	XT Guard	1
18	102044	Bumper Stop	1
19	102007	Bronze Bearing, .5095 x 5/8 x 3/4	6
20	103037	XT Mandrel Sleeve, Right	2
21	103010	XT Torsion Spring, RH	1
22	102058	Hex Nut 5/16 - 18	3
23	103026-B	XT Lift Arm Assembly	1
24	103055	Ball Socket	4
25	102032	Ball Stud	4
26	103054	Gas Spring	2
27	102046	Ball Joint Seal	4
29	103028-P	XT Center Joint Pin	1
30	102042	Hairpin Cotter	1
31	103022-B	XT Mounting Bracket	1
32	103002	XT Connecting Pin	1
33	102027-B	Bracket Backing Plate	1
34	102055	Screw 3/8 - 16 x 1 1/4 Hex Cap	2
35	102062	Washer, Flat 3/8	2
36	102065	Washer, Lock 3/8	2
37	102057	Hex Nut 3/8 - 16	2
38	103040, 102162	Decals, Proslide XT and Warning	1 each
39	103036	XT Torsion Spring Replacement Kit	1
40	102028	Gas Spring Assembly	2
41	103031	XT Lower Arm Assembly	1
42	103032	XT Upper Arm Assembly	1
43	103035	XT Mounting Bracket Kit	1
44	103034	XT Deck Assembly	1

Use and Maintenance

- The stop bar mechanism is designed to prevent the Proslide from sliding forward unexpectedly when the operator is standing on the deck plate. When the operator steps off, the stop bar slides back to allow the Proslide to fold. The areas around the stop bar and the actuator spring should be kept clear of grass clippings and debris. Inspect daily to ensure that the mechanism is functioning properly.
- All pinned joints have self-lubricated bronze bushings. No maintenance is required. See warranty on back page.
- The gas spring ball joints require grease periodically (300-500 hours). Release the safety clip by inserting a small screwdriver between it and the ball socket, then separate the joint by forcing it apart. Place grease in the ball socket and replace the O-ring seal if it is damaged. Reassemble by forcing the joint together, wipe off excess grease. Ensure the safety clip closes around the socket.

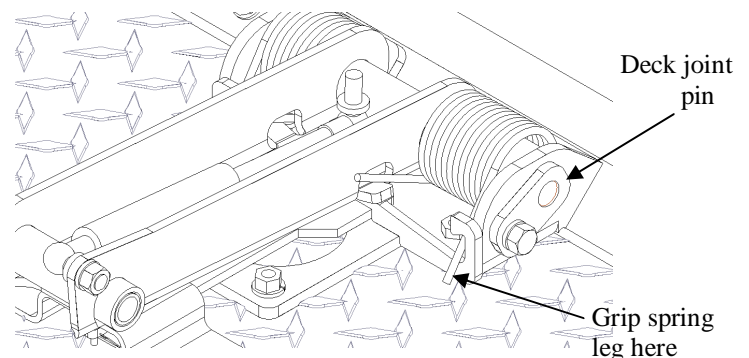


bushings.



- To gain access to the inner gas spring, place the unit in folded position on a workbench. Remove the 5/16-18 nut on the top of the upper arm. Push the threaded ball stud downward out of the hole. The upper arm can now be opened freely to service the gas spring. To reassemble, connect the barrel end of the gas spring to the lower arm. Place a wood block (1 1/4" to 1 1/2" height) under the rod end of the gas spring. Close the upper arm and use a screwdriver to guide the threads of the ball stud through the hole in the upper arm. Install the 5/16-18 nut with a drop of liquid thread lock.

- Before removing the deck joint pin, the tension on the torsion springs should be released. With a vise grip securely clamped to the exposed end of the outer leg, move the leg down and in to release it from the hook, then rotate up and forward to relieve the spring tension. To reassemble, use the vise grip in the same way to secure the outer leg under the hook.



- Replace the wear plate as needed. Under normal operating conditions, it will last 500 to 1000 hours. Riding the Proslide over concrete, gravel or asphalt surfaces will significantly reduce the life of the wear plate.
- When stepping off of the Proslide, briefly leave your foot above the foot plate until it is about 1/2 retracted to prevent the foot plate from slamming into the upper arm.

Warning!

- ◇ Do not use the Proslide with a mower that has modified safety mechanisms. All operator presence safety devices must be in place and working!
- ◇ Do not stop suddenly when traveling down hills. Sudden retraction can occur.
- ◇ Exercise caution when using the Proslide on wet surfaces, sudden stops can cause unexpected retraction.
- ◇ Excessive build-up of grass clippings and debris may impair the functioning of the stop bar. Clean and inspect daily to prevent unwanted retraction.
- ◇ Do not stand in the center of the foot plate.
- ◇ Keep hands and feet out of the retracting arm.

Warranty Information

Limited one year warranty: This Proslide is warranted to be free from defects in materials and workmanship for one year from the original purchase date. This warranty is not transferable and is extended only to the original owner. Proof of purchase is required.

Lifetime bearing warranty: The oil-filled bronze bearings are unconditionally warranted for the life of the Proslide. Contact your dealer or Novae Corp. and new bearings will be provided. Installation labor is not covered under this warranty.

Limitations: The wear plate is not covered under this warranty. The gas springs are covered by a two-year limited warranty from the date of manufacture.

This warranty does not cover: -Normal wear and tear. -Accident, misuse, abuse, neglect, improper maintenance or installation.

Incidental or consequential damages: Novae Corporation's obligation under this warranty is limited to replacing or repairing defective parts and in no event shall the manufacturer be liable for incidental or consequential damages. Some states do not allow the exclusion or limitation of incidental or consequential damages so this limitation may not apply.

Consumer rights under law: This warranty gives the consumer specific legal rights. The consumer may also have rights that vary from state to state.

No other warranties are expressed or implied.

Novae Corp.

2 Novae Parkway, Markle, IN 46770
844-240-8695 infopsgj@novaecorp.com
Proslide® is a registered trademark of Novae Corp.
©2016 Novae Corp. All Rights Reserved