

- Periodically (200-300 hrs) check that all the fasteners are tight and the GOSlide is not damaged or unsafe to use.
- Replace the wear plate as needed. Under normal operating conditions, it will last 500 to 1000 hours. Riding the GOSlide over concrete or asphalt surfaces will significantly reduce the life of the wear plate.



Retracting Slider

Installation and User Manual

Warning!

- ◇ Do not use the GOSlide with a mower that has modified safety mechanisms. All operator presence safety devices must be in place and working!
- ◇ Do not stop suddenly when traveling down hills. Loss of balance can occur.

Warranty Information

Limited one year warranty: This GOSlide is warranted to be free from defects in materials and workmanship for one year from the original purchase date. This warranty is not transferable and is extended only to the original owner. Proof of purchase is required.

Limitations: The wear plate is not covered under this warranty.

This warranty does not cover: -Normal wear and tear. -Accident, misuse, abuse, neglect, improper maintenance or installation.

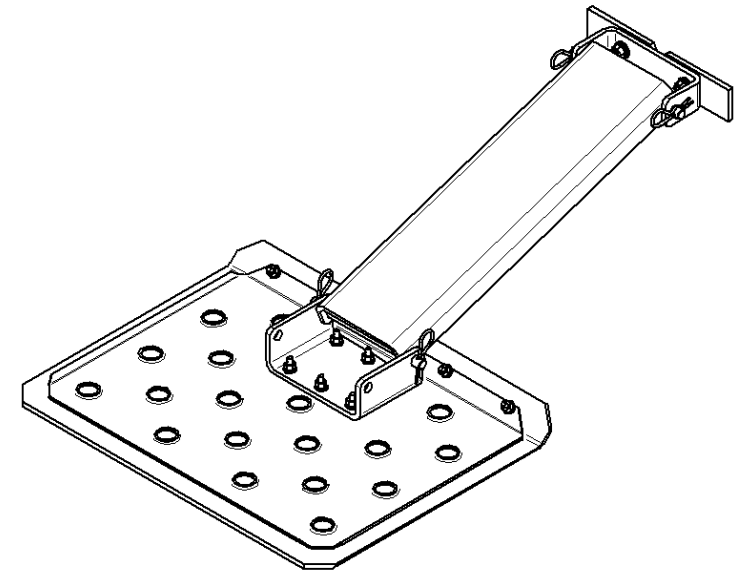
Incidental or consequential damages: Novae Corporation's obligation under this warranty is limited to replacing or repairing defective parts and in no event shall the manufacturer be liable for incidental or consequential damages. Some states do not allow the exclusion or limitation of incidental or consequential damages so this limitation may not apply.

Consumer rights under law: This warranty gives the consumer specific legal rights. The consumer may also have rights that vary from state to state.

No other warranties are expressed or implied.

Novae Corp.

2 Novae Parkway, Markle, IN 46770
844-260-8695 infopsgi@novaecorp.com
GOSlide® is a registered trademark of Novae Corp.
©2016 Novae Corp. All Rights Reserved



Patent Nos. 5,575,140
5,697,623

Please read before using.

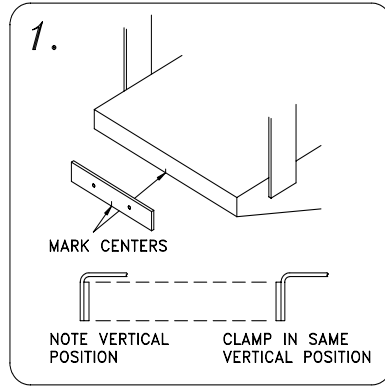
This manual will help you get maximum performance from your slider.

Novae

Installation

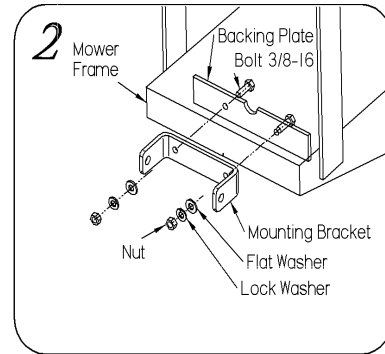
1. Using the backing plate as a pattern, drill two holes in the rear of the mower frame.

1. **Mark the center** of the backing plate.
2. Mark the center of the mower frame at the lower edge.
3. Fit the backing plate to the inside of the mower frame and note its vertical position relative to the lower edge of the frame.
4. Clamp the backing plate to the outside of the mower frame, in the same vertical position as noted, aligning the center marks. Be sure it is level.
5. **Protect the drive belts** by clamping a metal bar to the inside of the frame with a 1/4" spacer to allow clearance for the drill.
6. **Drill two 25/64" holes** in the mower frame through the backing plate holes.
7. Remove the backing plate.



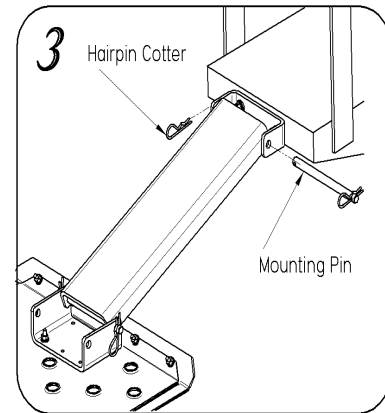
2. Bolt the backing plate and mounting bracket on opposite sides of the frame.

1. Place the backing plate inside the mower frame and insert a mounting bolt through backing plate and frame.
2. Place the mounting bracket on the bolt and follow with a flat washer, lock washer and nut.
3. Insert the other mounting bolt, washers, and nut in the same manner and tighten both.



3. Insert the connecting pin.

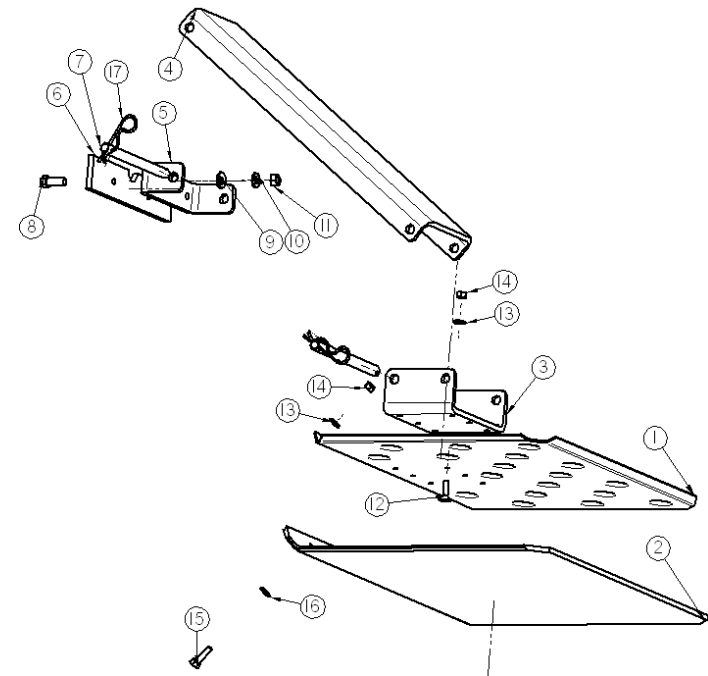
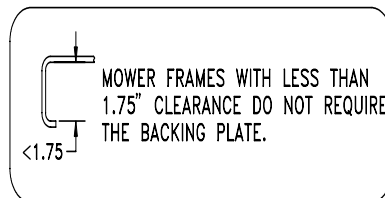
- 1 Push the pin through the mounting bracket while holding the GOSlide in place.
- 2 Insert the hairpin cotters to retain the mounting pin.



Important Notes:

Not all mowers require the use of the 102027 backing plate. Mowers with short U-shaped rear frames have sufficient strength and do not require the backing plate. Use the backing plate on all mowers with adequate clearance.

- Ferris- Not recommended for use with single drive hydrostatic mowers. Installation on Ferris belt drive mowers requires adapter 102420.
- Kees hydro- The metal belt guard must be remounted after installation.



#	Part #	Description	Qty	#	Part #	Description	Qty
1	102403	Deck, Go Slide	1	10	102065	Washer, lock 3/8" zinc	2
2	102401	Wear Plate, Go Slide	1	11	102057	Nut, 3/8-16 zinc	2
3	102396	Bracket, Go Slide Deck	1	12	102108	Screw, 1/4-20x 3/4 FH phillips zinc	6
4	102395	Arm, Go Slide	1	13	102063	Washer, lock 1/4" zinc	11
5	102394	Bracket, Go Slide Mount	1	14	102059	Nut, 1/4-20 zinc	11
6	102027	Bracket, Backing Plate	1	15	ST1167	Screw, 1/4-20 x 1 HH Zinc	5
7	102398	Pin, Go Slide	2	16	102060	Washer, flat 1/4" zinc	4
8	102055	Screw, 3/8-16 x 1-1/4 HH zinc	2	17	102042	Pin, Hitch clip 2-5/8 long	4
9	102062	Washer, flat 3/8" zinc	2				

Use and Maintenance

- When not in use, the GOSlide can be lifted up and chained to the mower. Secure chain to mower frame above the GOSlide and use the chain clip to hold the GOSlide up as shown below. Adjust the chain so that the GOSlide is pulled up far enough to allow the mower to be used normally.

